



**Passive Fire
Protection**

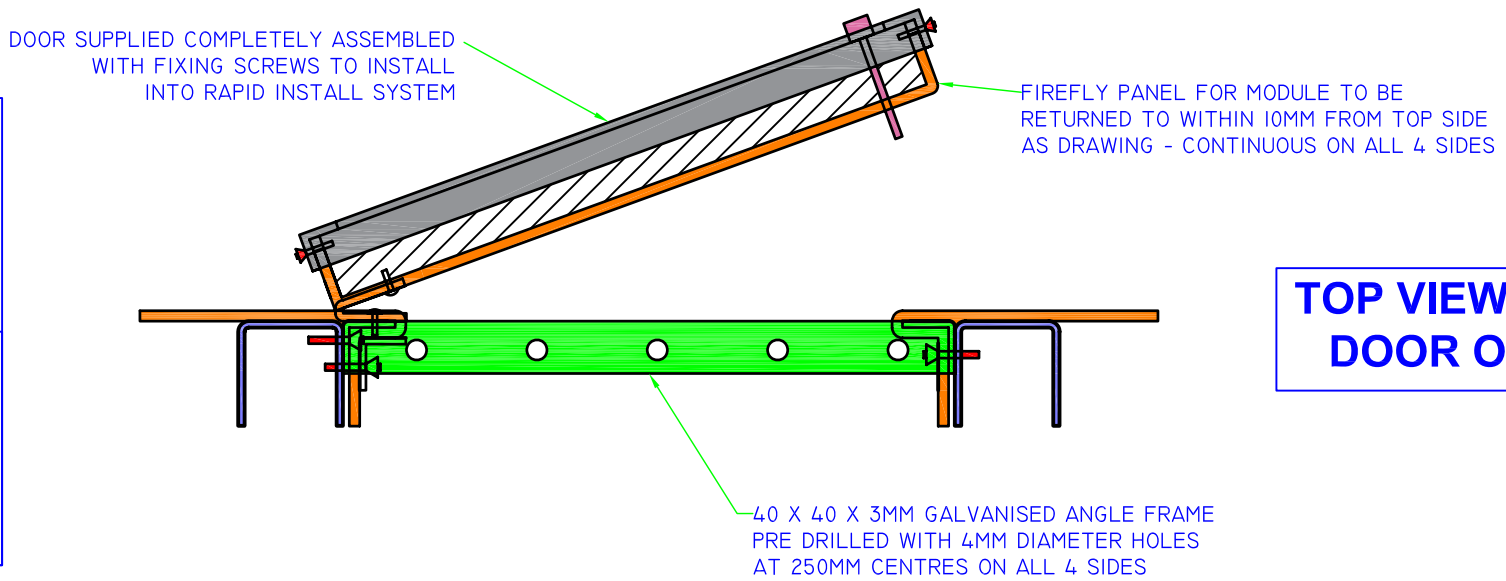
**Installation Drawing Catalogue
Issue 3**

DO NOT SCALE

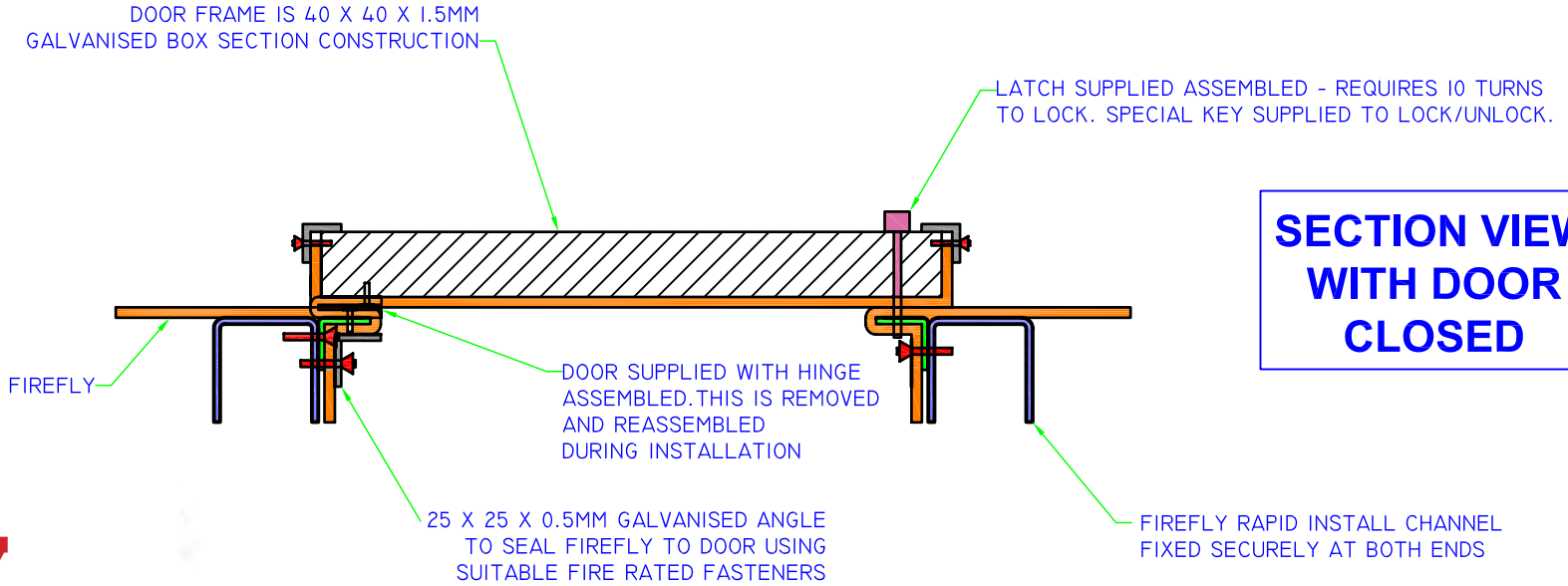
IF IN DOUBT ASK!

**600 X 600MM
ACCESS HATCH
SUPPLIED WITH 2
HINGES AND 1
LOCK.**

**1000 X 800MM
ACCESS DOOR
SUPPLIED WITH 3
HINGES AND 2
LOCKS.**



**TOP VIEW WITH
DOOR OPEN**



**SECTION VIEW
WITH DOOR
CLOSED**



A	NEW DRAWING
ISSUE	DESCRIPTION

ALL RIGHTS RESERVED, NO PART OF THIS DRAWING MAY BE USED, REPRODUCED, ALTERED, STORED IN A RETRIEVAL SYSTEM OR TRANSMITTED IN ANY FORM OR BY ANY MEANS WITHOUT THE PRIOR WRITTEN PERMISSION OF TBA TEXTILES LIMITED. COPYRIGHT 2008.

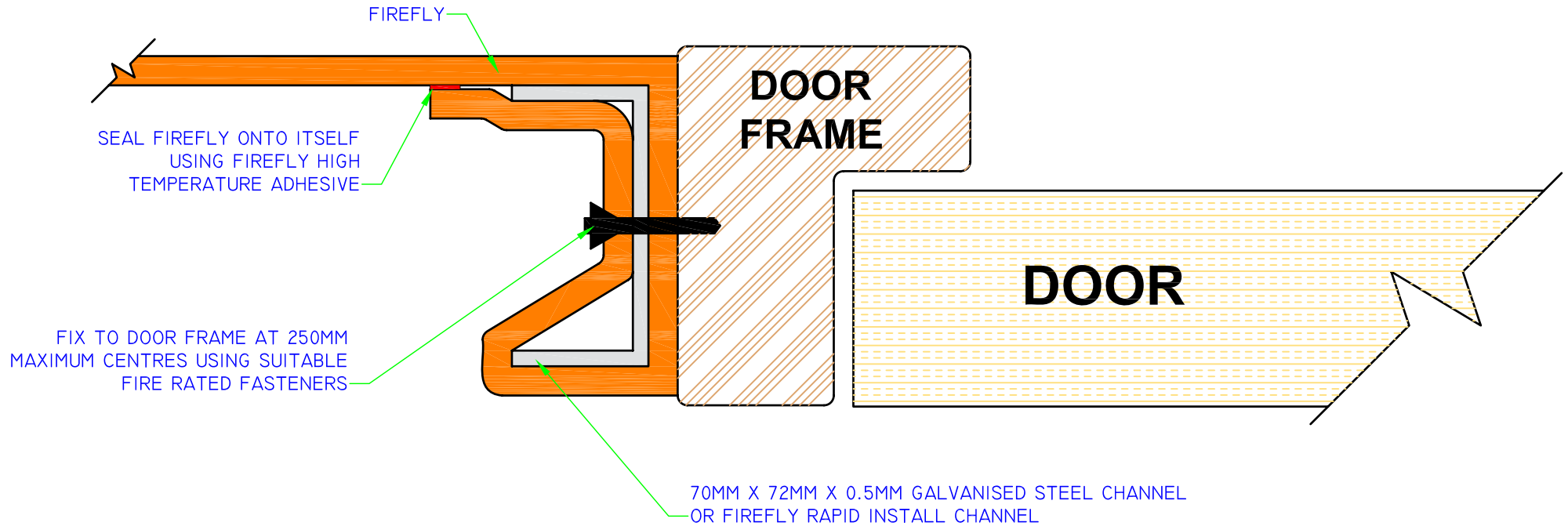


TBA TEXTILES LIMITED
Unit 3
Transpennine Trading Estate
Gorrells Way, Rochdale
OL11 2PX
Tel: +44 (0)1706 758817
Fax: +44 (0)1706 750256
www.tbafirefly.co.uk

DRAWN:	SNC
CHECKED:	MT
APPROVED:	VF
SCALE:	NTS
DATE:	19/06/13

TITLE: FIREFLY ACCESS DOOR AND ACCESS HATCH FOR EITHER 60/30 MINUTES

DRAWING No.
TBA/FLY/086



ALL RIGHTS RESERVED, NO PART OF THIS DRAWING MAY BE USED, REPRODUCED, ALTERED, STORED IN A RETRIEVAL SYSTEM OR TRANSMITTED IN ANY FORM OR BY ANY MEANS WITHOUT THE PRIOR WRITTEN PERMISSION OF TBA TEXTILES LIMITED. COPYRIGHT 2008.



TBA TEXTILES LIMITED
 Unit 3
 Transpennine Trading Estate
 Gorrells Way, Rochdale
 OL11 2PX
 Tel: +44 (0)1706 758817
 Fax: +44 (0)1706 750256
 www.tbafirefly.co.uk

DRAWN:	SNC
CHECKED:	MT
APPROVED:	VF
SCALE:	NTS
DATE:	01/10/08

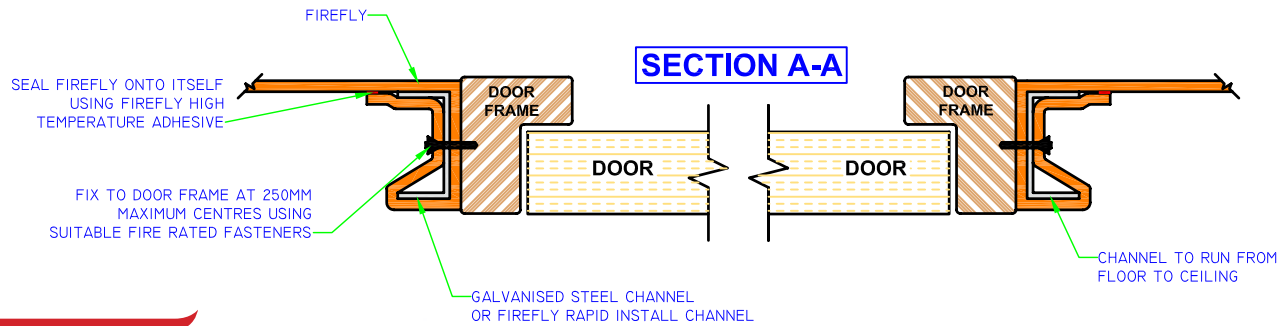
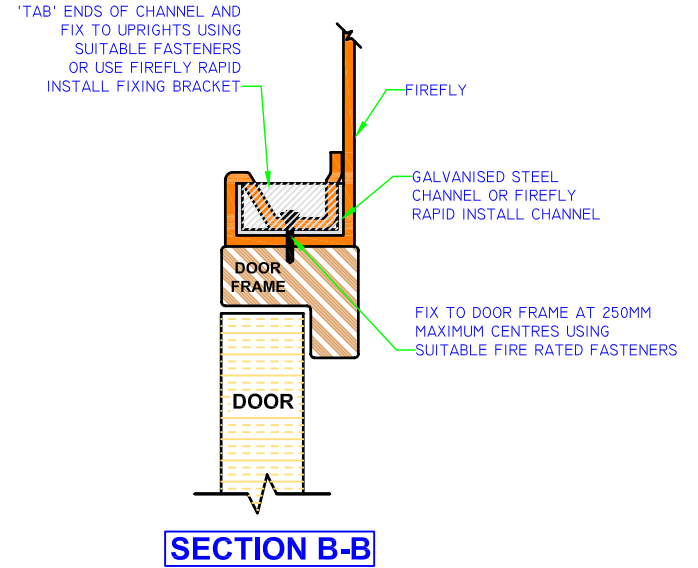
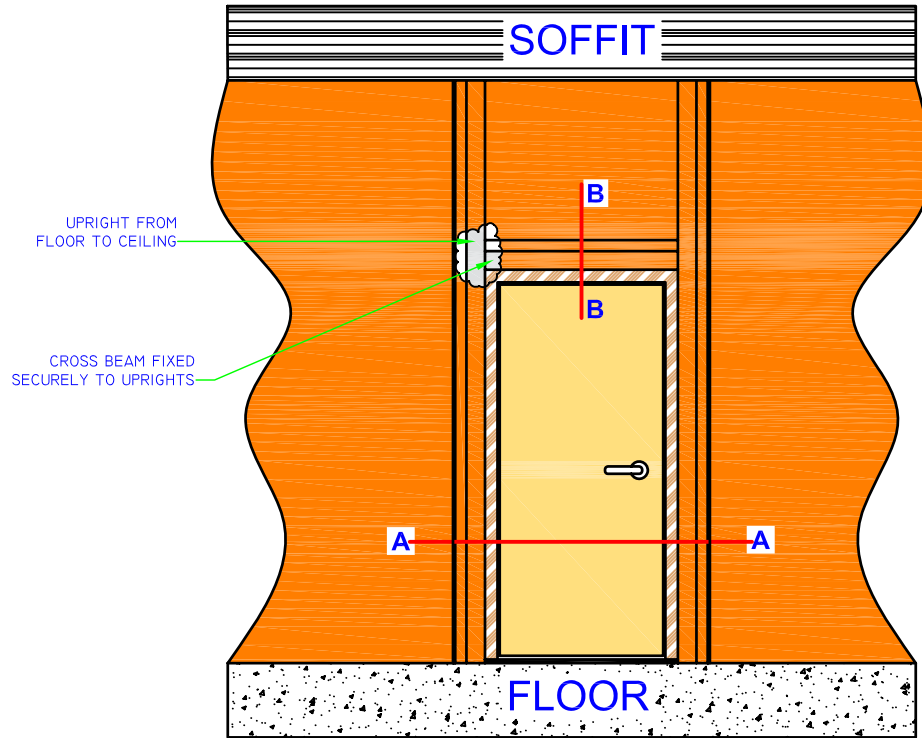
TITLE:
 FIREFLY -- ALL PRODUCTS
 FIXING TO FIRE DOOR DETAIL

DRAWING No.
 TBA/FLY/037

ISSUE	DESCRIPTION
A	NEW DRAWING

DO NOT SCALE

IF IN DOUBT ASK!



ALL RIGHTS RESERVED, NO PART OF THIS DRAWING MAY BE USED, REPRODUCED, ALTERED, STORED IN A RETRIEVAL SYSTEM OR TRANSMITTED IN ANY FORM OR BY ANY MEANS WITHOUT THE PRIOR WRITTEN PERMISSION OF TBA TEXTILES LIMITED. COPYRIGHT 2008.

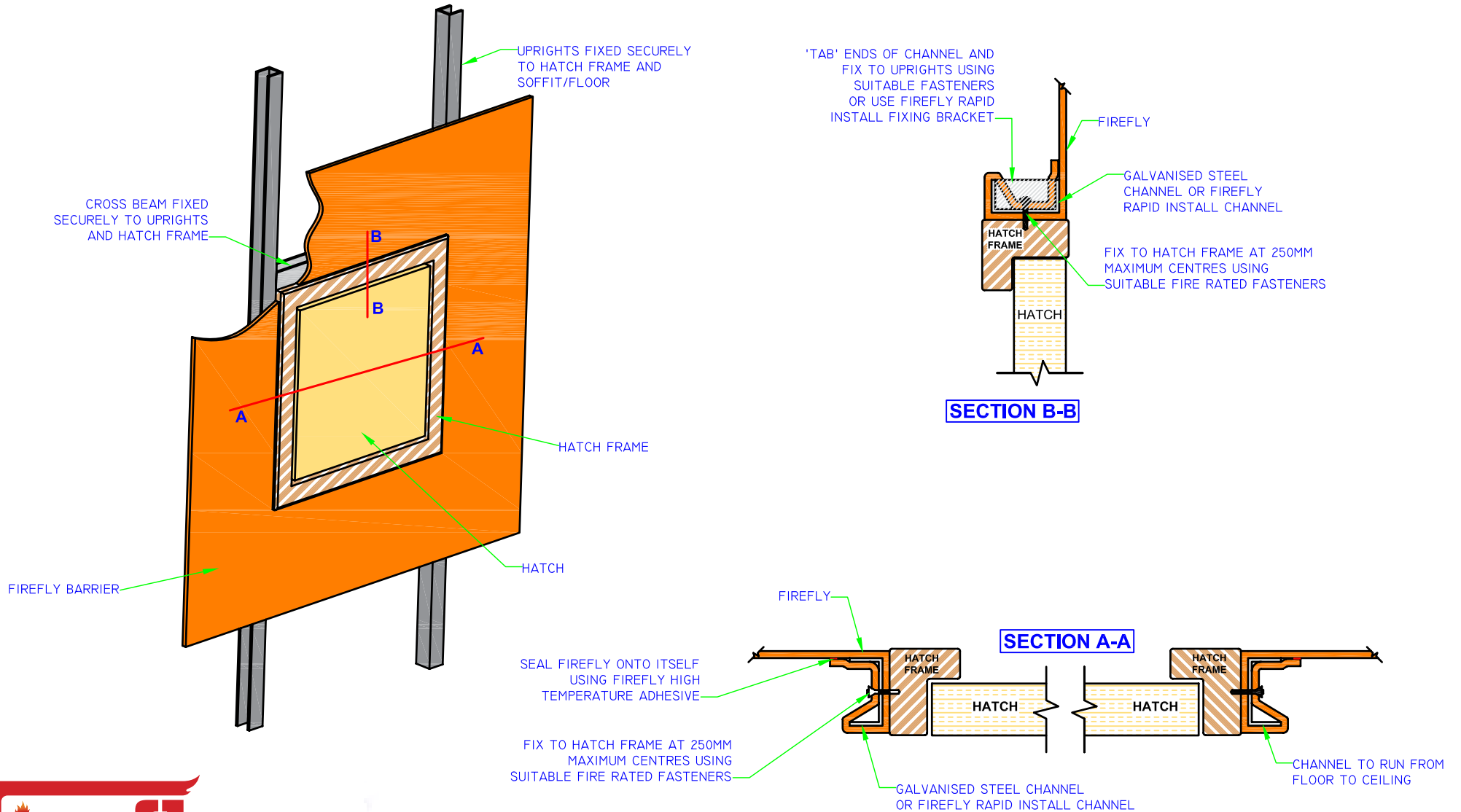


TBA TEXTILES LIMITED
 Unit 3
 Transpennine Trading Estate
 Gorrells Way, Rochdale
 OL11 2PX
 Tel: +44 (0)1706 758817
 Fax: +44 (0)1706 750256
 www.tbafirefly.co.uk

DRAWN:	SNC
CHECKED:	MT
APPROVED:	VF
SCALE:	NTS
DATE:	02/10/08

TITLE:
 FIREFLY -- ALL PRODUCTS
 INSTALLATION OF FIREFLY
 TO FIRE DOOR
DRAWING No.
 TBA/FLY/038

ISSUE	DESCRIPTION
A	NEW DRAWING



ALL RIGHTS RESERVED, NO PART OF THIS DRAWING MAY BE USED, REPRODUCED, ALTERED, STORED IN A RETRIEVAL SYSTEM OR TRANSMITTED IN ANY FORM OR BY ANY MEANS WITHOUT THE PRIOR WRITTEN PERMISSION OF TBA TEXTILES LIMITED. COPYRIGHT 2008.



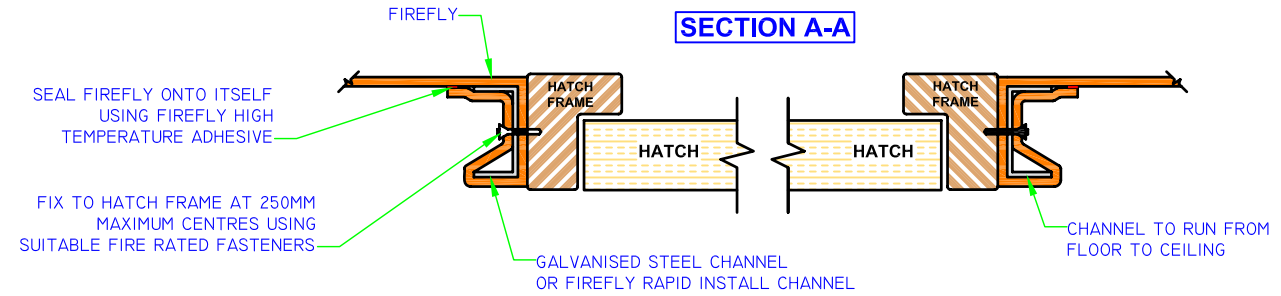
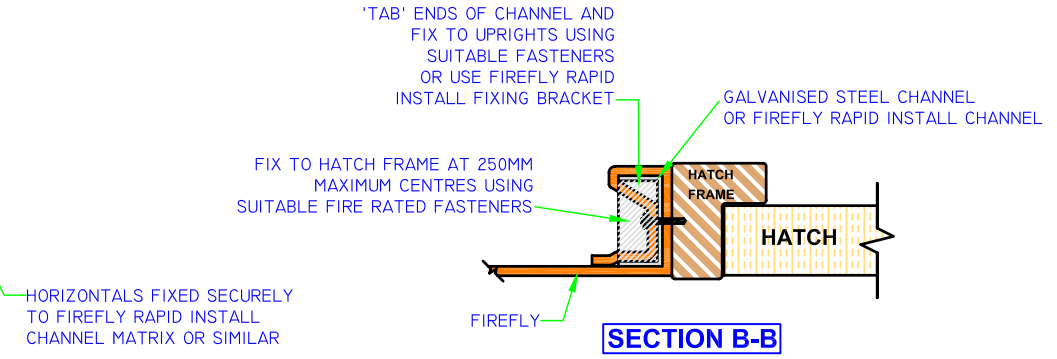
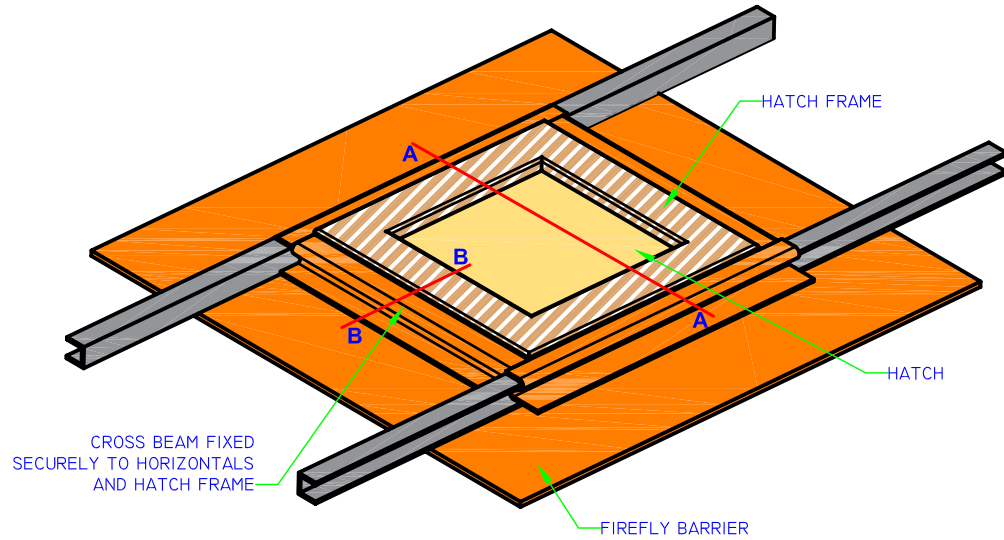
TBA TEXTILES LIMITED
 Unit 3
 Transpennine Trading Estate
 Gorrells Way, Rochdale
 OL11 2PX
 Tel: +44 (0)1706 758817
 Fax: +44 (0)1706 750256
 www.tbafirefly.co.uk

DRAWN:	SNC
CHECKED:	MT
APPROVED:	VF
SCALE:	NTS
DATE:	22/10/08

TITLE:
 FIREFLY -- ALL PRODUCTS
 VERTICAL ACCESS HATCH

DRAWING No.
 TBA/FLY/041

ISSUE	DESCRIPTION
A	NEW DRAWING



ALL RIGHTS RESERVED, NO PART OF THIS DRAWING MAY BE USED, REPRODUCED, ALTERED, STORED IN A RETRIEVAL SYSTEM OR TRANSMITTED IN ANY FORM OR BY ANY MEANS WITHOUT THE PRIOR WRITTEN PERMISSION OF TBA TEXTILES LIMITED. COPYRIGHT 2008.



TBA TEXTILES LIMITED
 Unit 3
 Transpennine Trading Estate
 Gorrells Way, Rochdale
 OL11 2PX
 Tel: +44 (0)1706 758817
 Fax: +44 (0)1706 750256
 www.tbafirefly.co.uk

DRAWN:	SNC
CHECKED:	MT
APPROVED:	VF
SCALE:	NTS
DATE:	23/10/08

TITLE:
 FIREFLY -- ALL PRODUCTS
 HORIZONTAL ACCESS HATCH

DRAWING No.
 TBA/FLY/042

ISSUE	DESCRIPTION
A	NEW DRAWING