



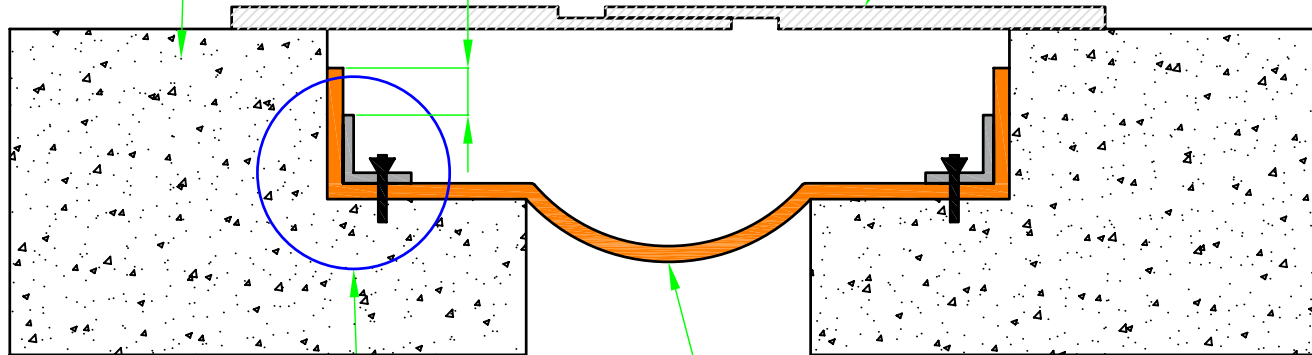
**Passive Fire
Protection**

**Installation Drawing Catalogue
Issue 3**

WALL/FLOOR/CEILING ETC.

100MM OVERLAP

COVER PLATE IF REQUIRED



FIXING DETAIL - 25MM X 25MM X 0.5MM GALVANISED ANGLE FIXED AT 250MM MAXIMUM CENTRES CONTINUOUS USING SUITABLE FIRE RATED FASTENERS

ALLOW ENOUGH FIREFLY MATERIAL TO COVER CALCULATED MOVEMENT PLUS AN EXTRA 20% MINIMUM



SUITABLE FOR VERTICAL OR HORIZONTAL ORIENTATION

ALL RIGHTS RESERVED, NO PART OF THIS DRAWING MAY BE USED, REPRODUCED, ALTERED, STORED IN A RETRIEVAL SYSTEM OR TRANSMITTED IN ANY FORM OR BY ANY MEANS WITHOUT THE PRIOR WRITTEN PERMISSION OF TBA TEXTILES LIMITED. COPYRIGHT 2008.



TBA TEXTILES LIMITED
 Unit 3
 Transpennine Trading Estate
 Gorrells Way, Rochdale
 OL11 2PX
 Tel: +44 (0)1706 758817
 Fax: +44 (0)1706 750256
 www.tbafirefly.co.uk

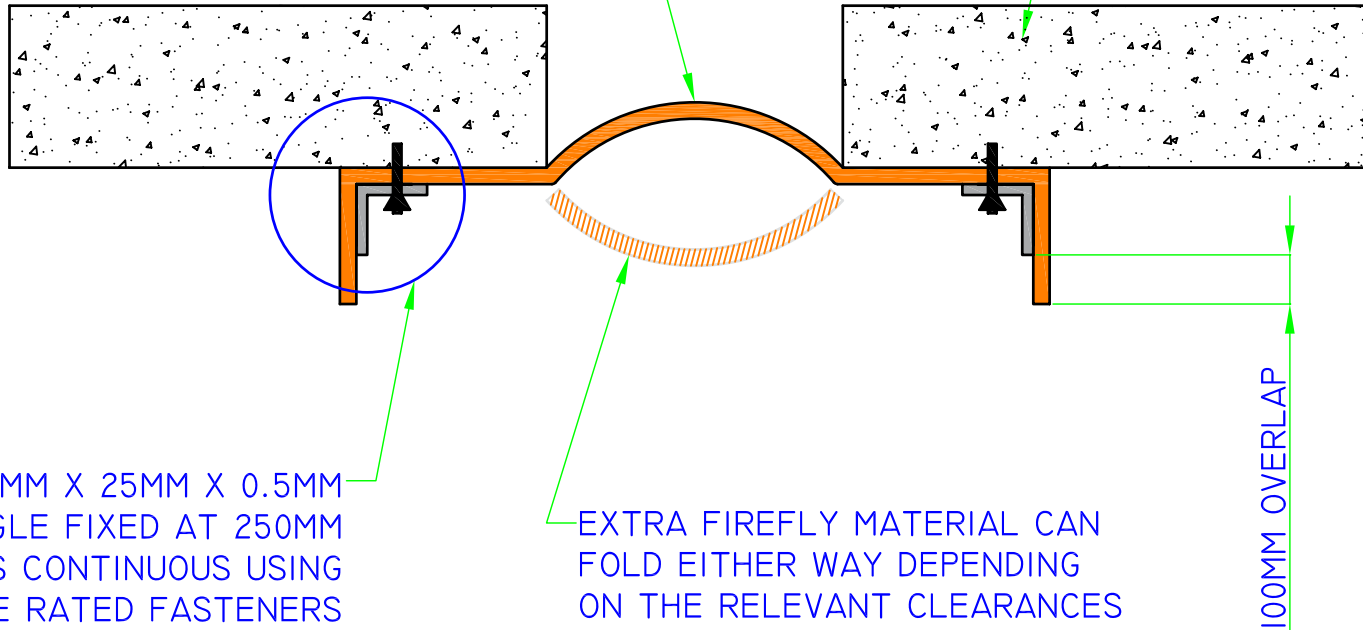
DRAWN:	SNC
CHECKED:	MT
APPROVED:	VF
SCALE:	NTS
DATE:	11/02/10

TITLE:
 FIREFLY -- ALL PRODUCTS
 MOVEMENT JOINT 1
DRAWING No.
 TBA/FLY/057

ISSUE	DESCRIPTION
A	NEW DRAWING

ALLOW ENOUGH FIREFLY MATERIAL TO COVER CALCULATED MOVEMENT PLUS AN EXTRA 20% MINIMUM

WALL/FLOOR/CEILING ETC.



FIXING DETAIL - 25MM X 25MM X 0.5MM GALVANISED ANGLE FIXED AT 250MM MAXIMUM CENTRES CONTINUOUS USING SUITABLE FIRE RATED FASTENERS

EXTRA FIREFLY MATERIAL CAN FOLD EITHER WAY DEPENDING ON THE RELEVANT CLEARANCES

100MM OVERLAP



SUITABLE FOR VERTICAL OR HORIZONTAL ORIENTATION

ALL RIGHTS RESERVED, NO PART OF THIS DRAWING MAY BE USED, REPRODUCED, ALTERED, STORED IN A RETRIEVAL SYSTEM OR TRANSMITTED IN ANY FORM OR BY ANY MEANS WITHOUT THE PRIOR WRITTEN PERMISSION OF TBA TEXTILES LIMITED. COPYRIGHT 2008.



TBA TEXTILES LIMITED
Unit 3
Transpennine Trading Estate
Gorrells Way, Rochdale
OL11 2PX
Tel: +44 (0)1706 758817
Fax: +44 (0)1706 750256
www.tbafirefly.co.uk

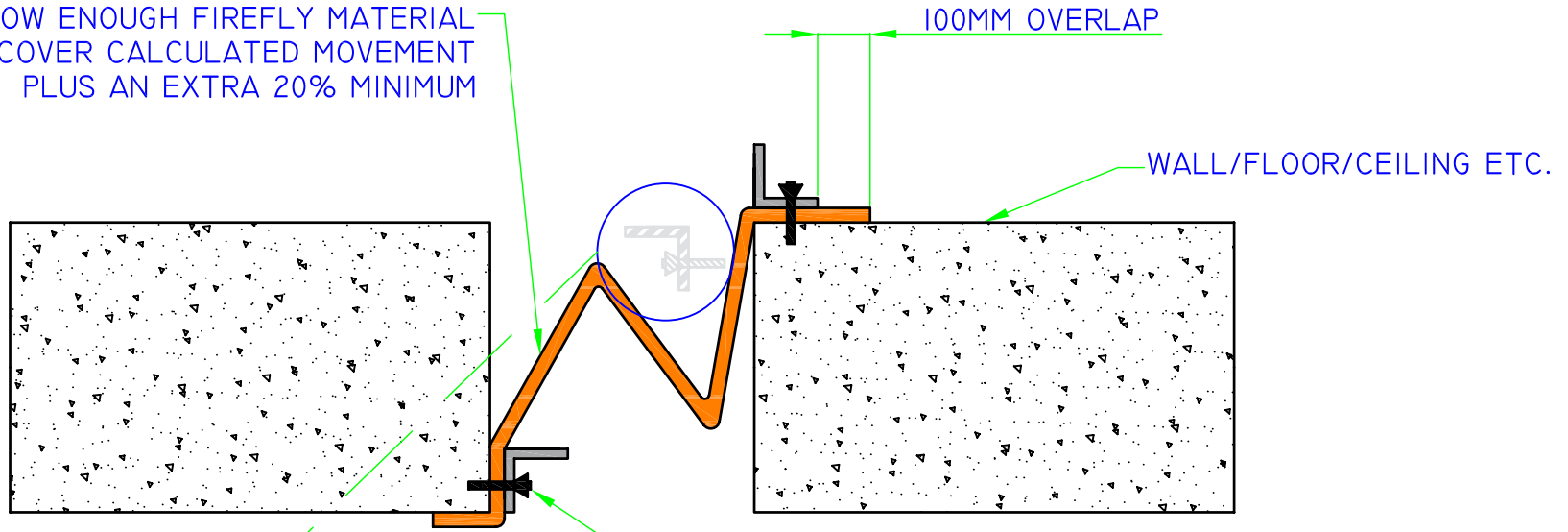
DRAWN:	SNC
CHECKED:	MT
APPROVED:	VF
SCALE:	NTS
DATE:	11/02/10

TITLE:
FIREFLY -- ALL PRODUCTS
MOVEMENT JOINT 3

DRAWING No.
TBA/FLY/059

ISSUE	DESCRIPTION
A	NEW DRAWING

ALLOW ENOUGH FIREFLY MATERIAL TO COVER CALCULATED MOVEMENT PLUS AN EXTRA 20% MINIMUM



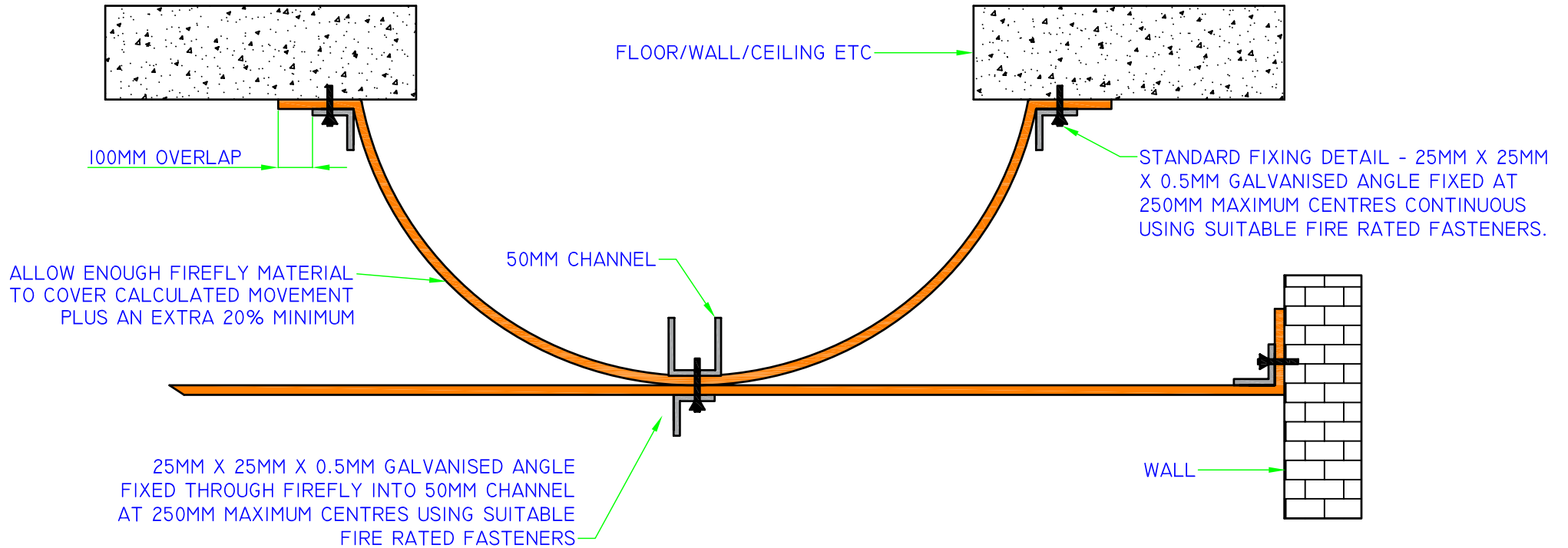
FIXINGS CAN BE ORIENTATED DEPENDANT ON AVAILABLE SPACE

FIXING DETAIL - 25MM X 25MM X 0.5MM GALVANISED ANGLE FIXED AT 250MM MAXIMUM CENTRES CONTINUOUS USING SUITABLE FIRE RATED FASTENERS

SUITABLE FOR VERTICAL OR HORIZONTAL ORIENTATION



		ALL RIGHTS RESERVED, NO PART OF THIS DRAWING MAY BE USED, REPRODUCED, ALTERED, STORED IN A RETRIEVAL SYSTEM OR TRANSMITTED IN ANY FORM OR BY ANY MEANS WITHOUT THE PRIOR WRITTEN PERMISSION OF TBA TEXTILES LIMITED. COPYRIGHT 2008.		TBA TEXTILES LIMITED Unit 3 Transpennine Trading Estate Gorrells Way, Rochdale OL11 2PX Tel: +44 (0)1706 758817 Fax: +44 (0)1706 750256 www.tbafirefly.co.uk	DRAWN:	SNC	TITLE: FIREFLY -- ALL PRODUCTS MOVEMENT JOINT 4 DRAWING No. TBA/FLY/060
					CHECKED:	MT	
					APPROVED:	VF	
					SCALE:	NTS	
ISSUE	DESCRIPTION				DATE:	11/02/10	
A	NEW DRAWING						



ALL RIGHTS RESERVED, NO PART OF THIS DRAWING MAY BE USED, REPRODUCED, ALTERED, STORED IN A RETRIEVAL SYSTEM OR TRANSMITTED IN ANY FORM OR BY ANY MEANS WITHOUT THE PRIOR WRITTEN PERMISSION OF TBA TEXTILES LIMITED. COPYRIGHT 2008.



TBA TEXTILES LIMITED
 Unit 3
 Transpennine Trading Estate
 Gorrells Way, Rochdale
 OL11 2PX
 Tel: +44 (0)1706 758817
 Fax: +44 (0)1706 750256
 www.tbafirefly.co.uk

DRAWN:	SNC
CHECKED:	MT
APPROVED:	VF
SCALE:	NTS
DATE:	11/02/10

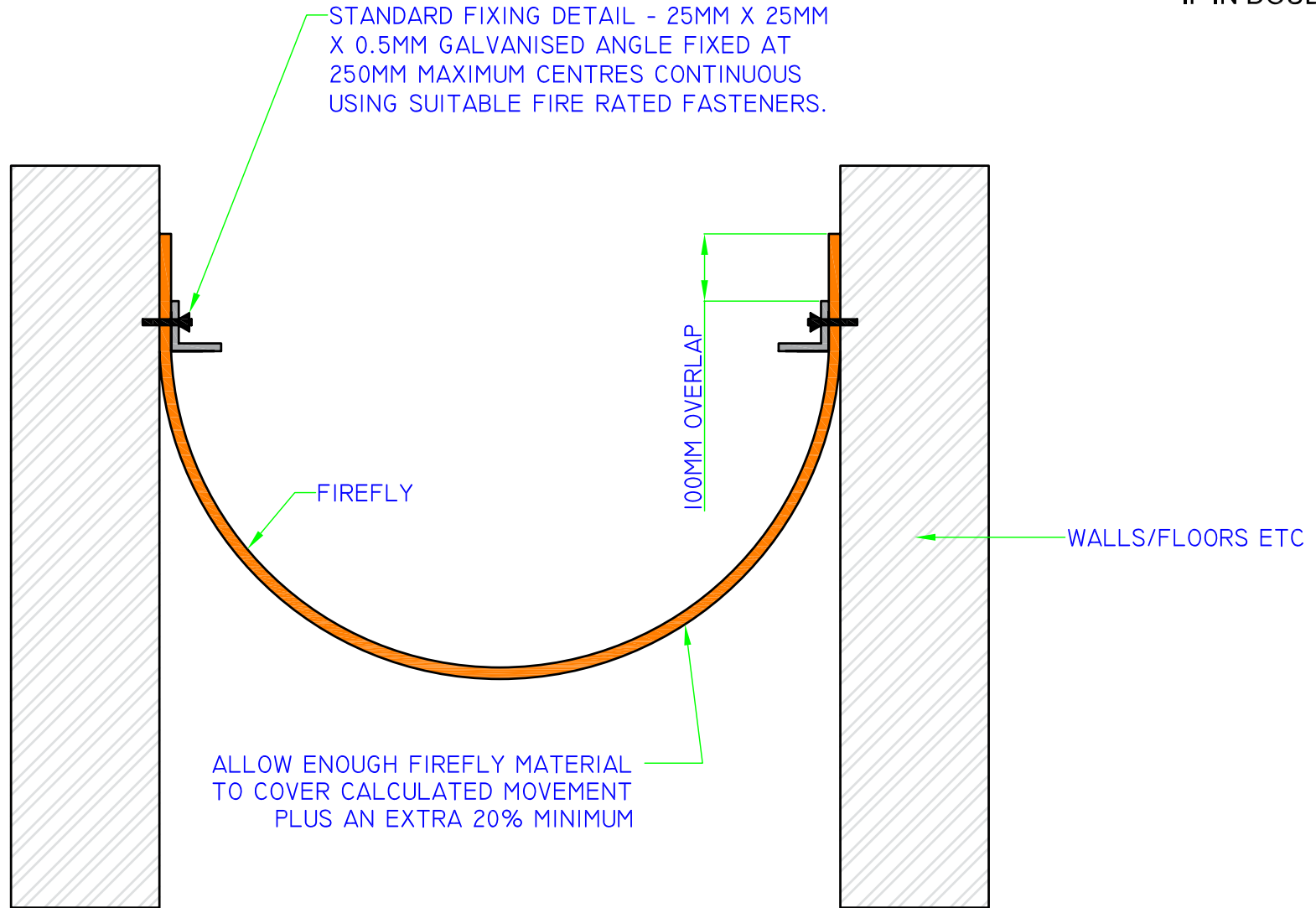
TITLE:
 FIREFLY -- ALL PRODUCTS
 MOVEMENT JOINT 5

DRAWING No.
 TBA/FLY/061

ISSUE	DESCRIPTION
A	NEW DRAWING

DO NOT SCALE

IF IN DOUBT ASK!



A	NEW DRAWING
ISSUE	DESCRIPTION

ALL RIGHTS RESERVED, NO PART OF THIS DRAWING MAY BE USED, REPRODUCED, ALTERED, STORED IN A RETRIEVAL SYSTEM OR TRANSMITTED IN ANY FORM OR BY ANY MEANS WITHOUT THE PRIOR WRITTEN PERMISSION OF TBA TEXTILES LIMITED. COPYRIGHT 2008.



TBA TEXTILES LIMITED
 Unit 3
 Transpennine Trading Estate
 Gorrells Way, Rochdale
 OL11 2PX
 Tel: +44 (0)1706 758817
 Fax: +44 (0)1706 750256
 www.tbafirefly.co.uk

DRAWN:	SNC
CHECKED:	MT
APPROVED:	VF
SCALE:	NTS
DATE:	11/02/10

TITLE:
 FIREFLY -- ALL PRODUCTS
 MOVEMENT JOINT 6
DRAWING No.
 TBA/FLY/062